

Snare removal campaign data analysis report in January 2015

Hunchun Nature Reserve(HNR) combined with Hunchun Forestry Public Security(HFPS), Border Guards, WCS (China program) and volunteers conducted a nine-day snare removal campaign. Participants were divided into 7 teams led by the protection agency and the vice station master of each conservation station respectively. Each team was allocated to public security, border guards and volunteers to conduct snares removal in the key areas both inside and out of HNR. The de-snaring activity involved 246 person-hours in a total area of 44500ha.

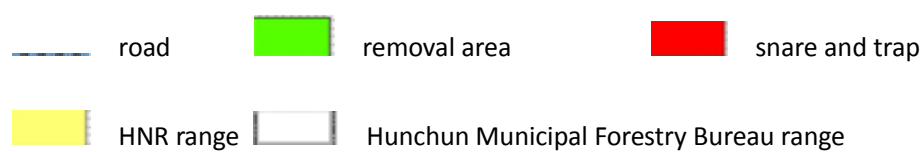
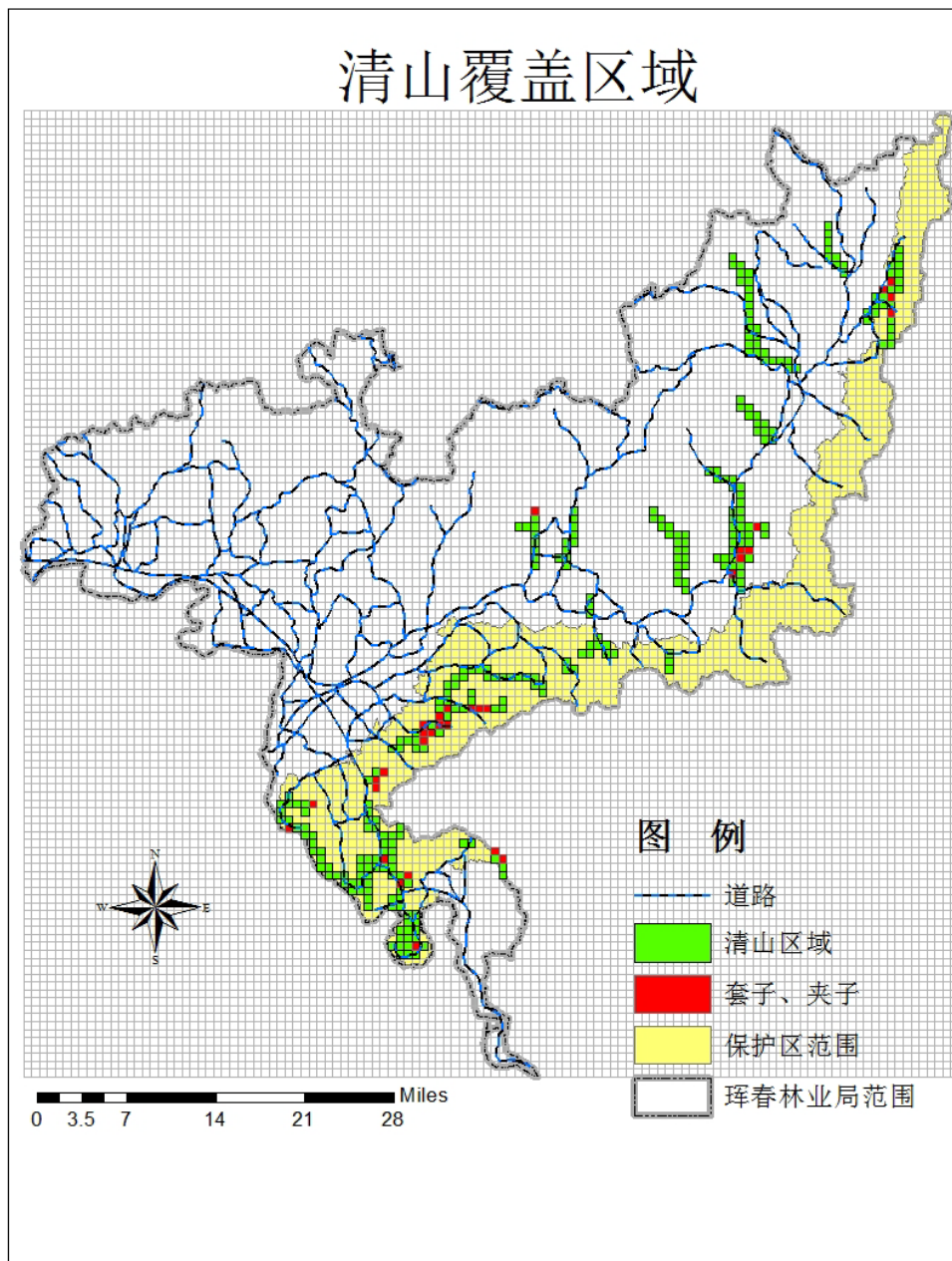
According to “The plan of Joint Patrol and Snare Removal Campaign in the winter of 2014”, this campaign set the key areas, organized and distributed team members and vehicles, adopting the SMART(a tool for wildlife law enforcement,spatial Monitoring And Report Tool) patrol mode recorded the process of mountain removal.

Snare removal data statistics

Number of days	9 days (On December 29th- 31th,2014 and January 12th -17th, 2015)
Participating Unit	HNR:27 people, Border Guards、 HFPS: 6 people, WCS (China program):2 people, volunteer: 10 people
Person-hours	246 person-hours
Vehicle	56 vehicle-hours
De-snaring mileage	404km
De-snaring area	44500ha (out HNR: 26100ha, in side HNR: 18400ha)

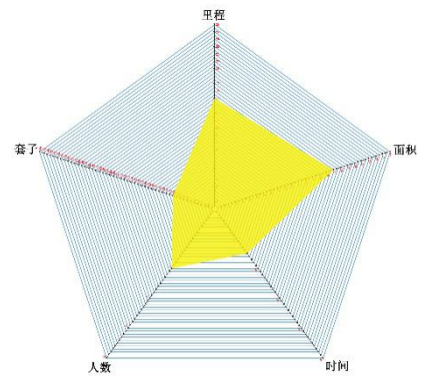
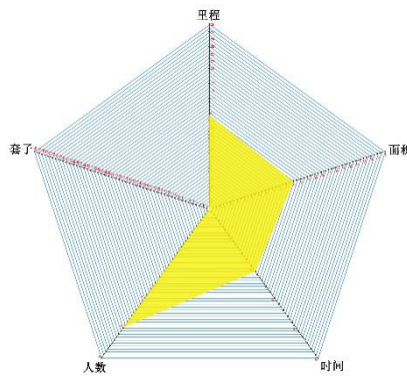
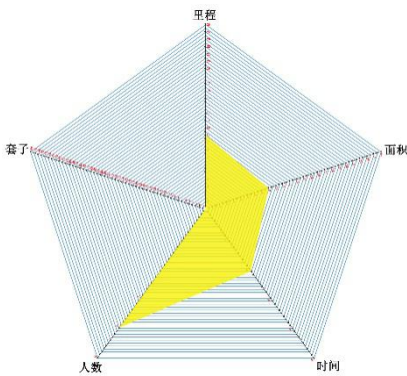
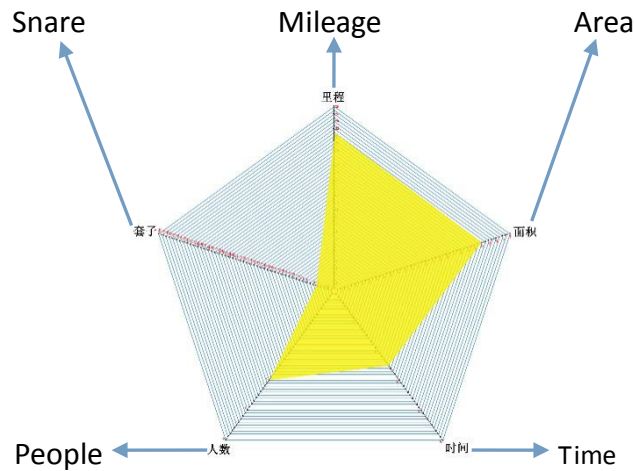
Number of snares removed	333
Number of traps removed	22

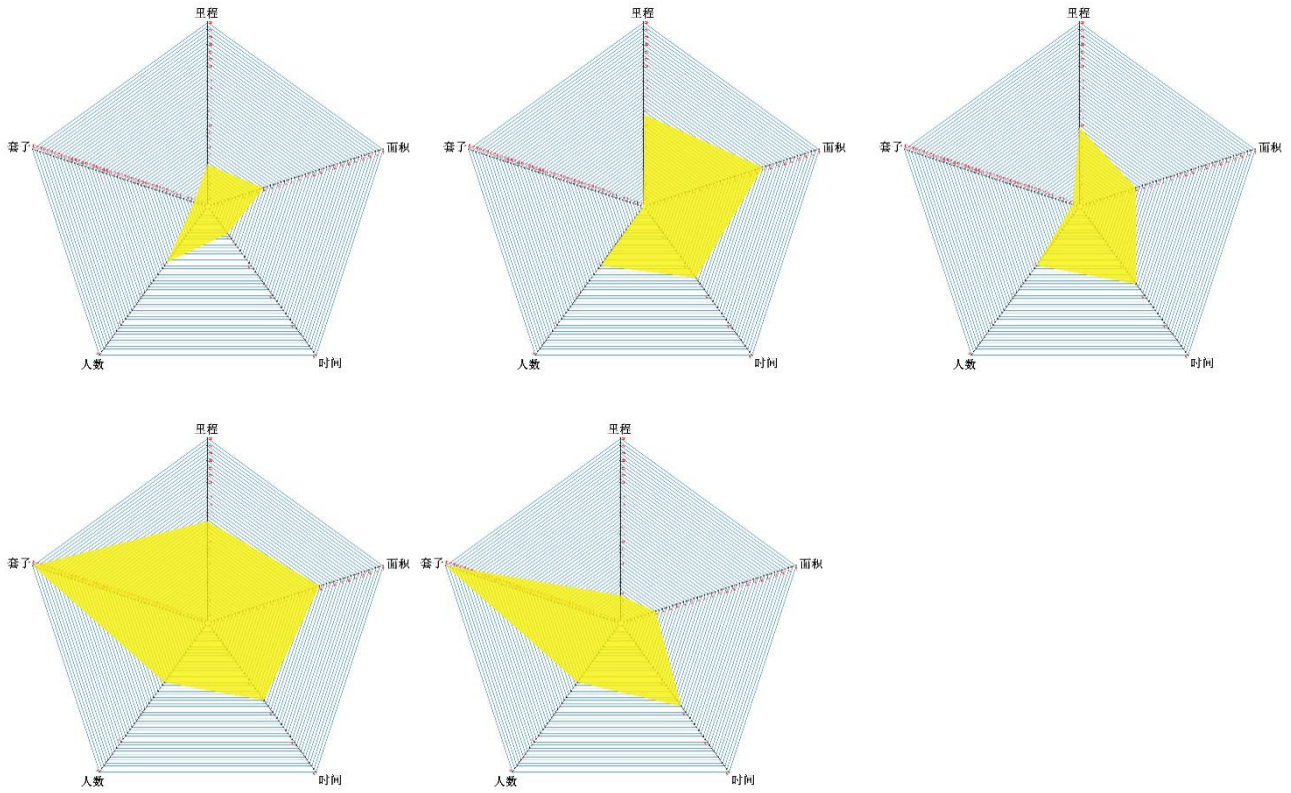
De-snaring coverage in Hunchun



Removal data of Banshi(place name)

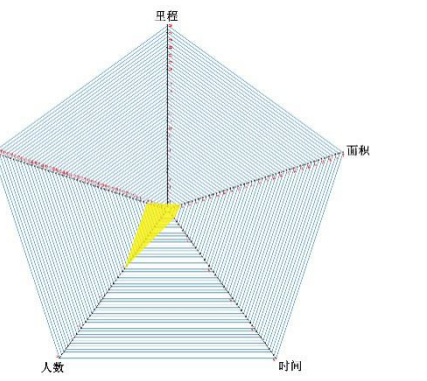
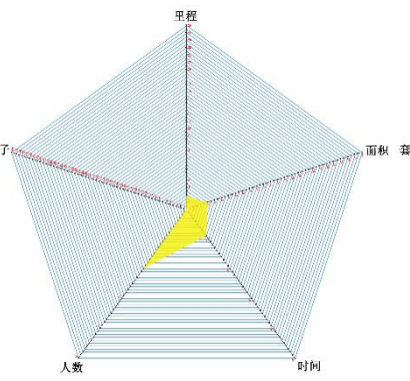
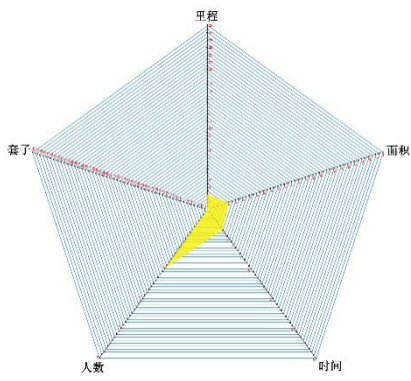
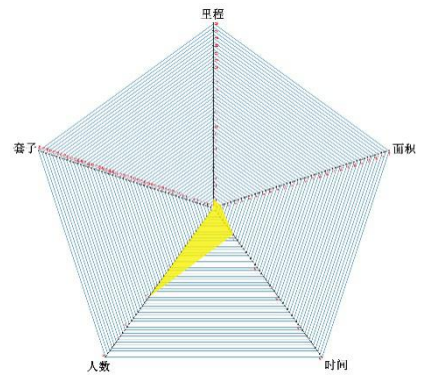
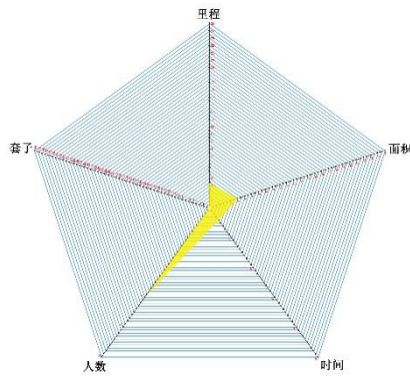
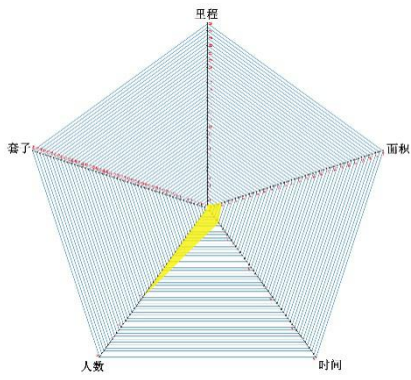
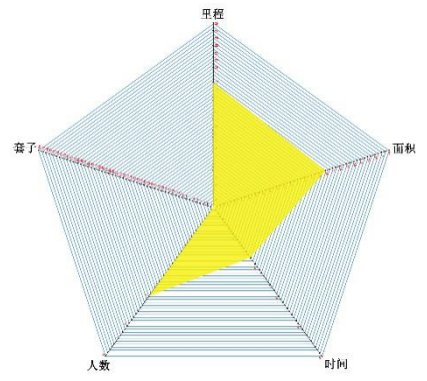
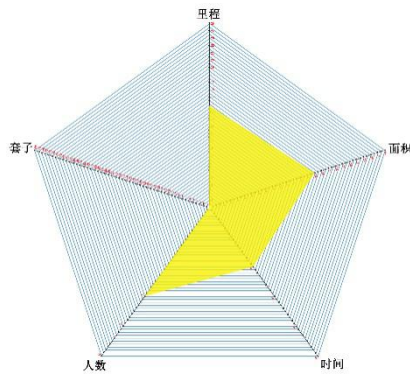
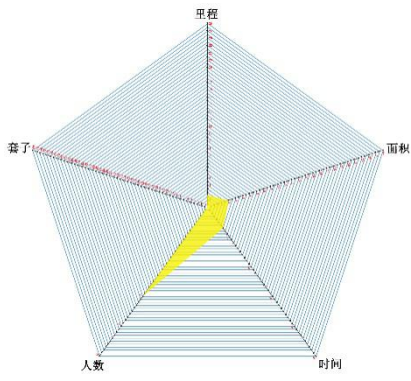
Serial number	Date	Location	Mileage	Area	Time	People	Snare	Trap
1	2014/12/29 10:00	Xibeigou	21602	21	2:32	3	2	3
2	2014/12/30 8:56	Lanjiatangzi	9897	9	2:21	4	0	0
3	2014/12/31 8:29	Niuxindingzi	12683	12	2:06	4	0	0
4	2015/1/12 9:18	Lutian-bolidong	15179	17	1:31	2	12	0
5	2015/1/13 9:07	Baishi-hekou	6313	8	0:52	2	0	4
6	2015/1/14 9:31	Xiasidaogou	12467	17	2:26	2	0	0
7	2015/1/15 8:57	Erdaogou	10747	8	2:38	2	2	0
8	2015/1/16 9:09	Shitouhezi	13704	16	2:35	2	50	1
9	2015/1/17 8:51	Sanbaigaodi	3710	5	1:48	2	55	0





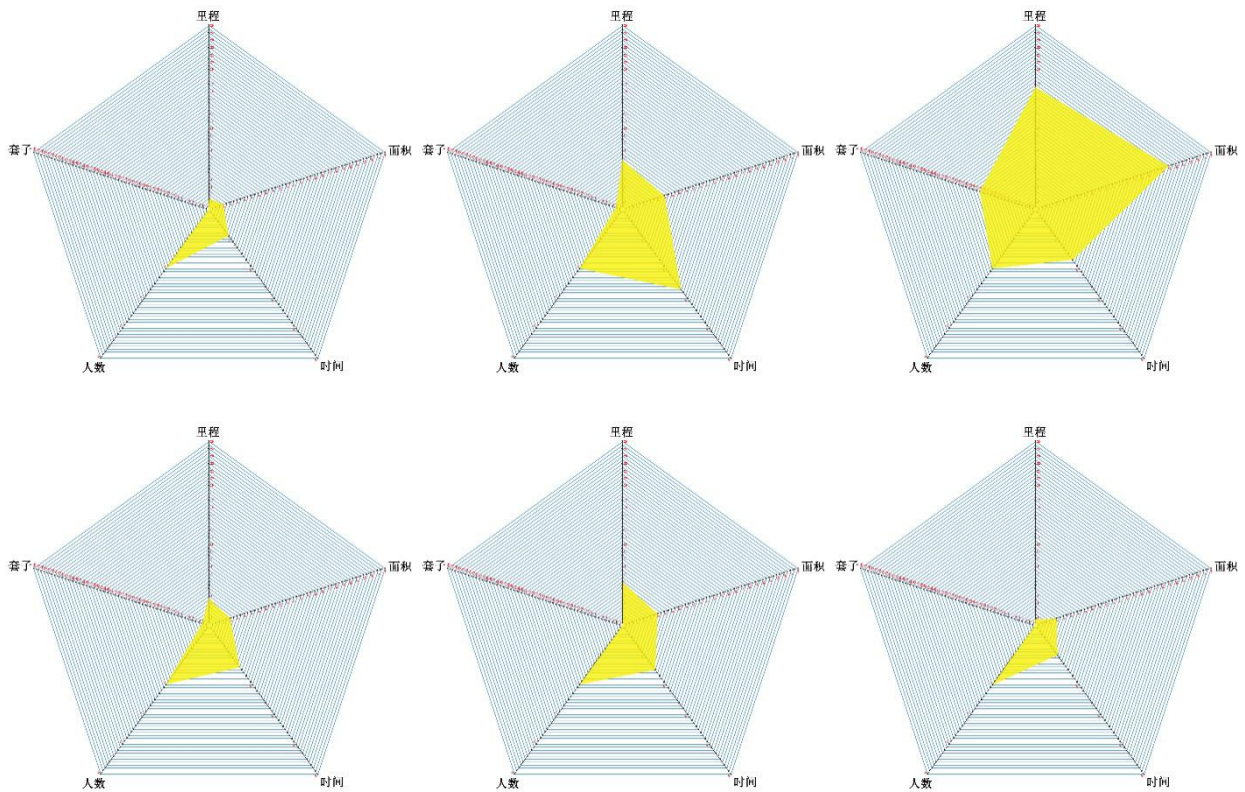
Removal data of Chunhua(place name)

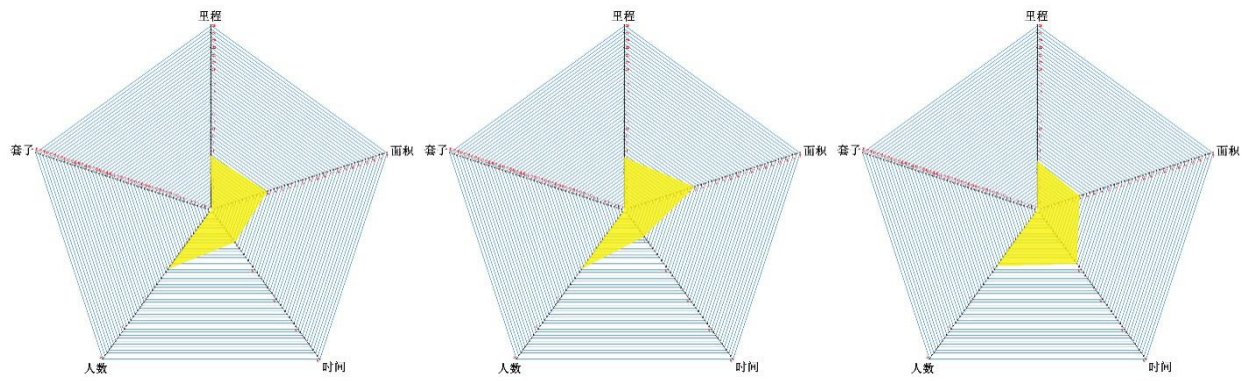
Serial number	Date	Location	Mileage	Area	Time	People	Snare	Trap
1	2014/12/29 10:15	Guandaogou	1558	3	0:40	3	0	0
2	2014/12/30 8:54	Guomen(Fenshuiling)	13814	15	1:59	3	0	0
3	2014/12/31 8:29	Niuxindingzi	17025	16	1:33	3	0	0
4	2015/1/12 9:22	Wujiashan	524	2	0:31	3	0	0
5	2015/1/13 9:56	Daduchuan	3328	4	0:23	3	0	0
6	2015/1/14 9:17	Liushuhezigou	1120	1	0:53	3	0	0
7	2015/1/15 9:23	Sandaogou	1978	3	0:39	2	0	0
8	2015/1/16 8:52	Shajingou	1739	3	0:55	2	0	0
9	2015/1/17 8:44	Yilingangou	762	2	0:17	2	6	0



Removal data of Jingxin(place name)

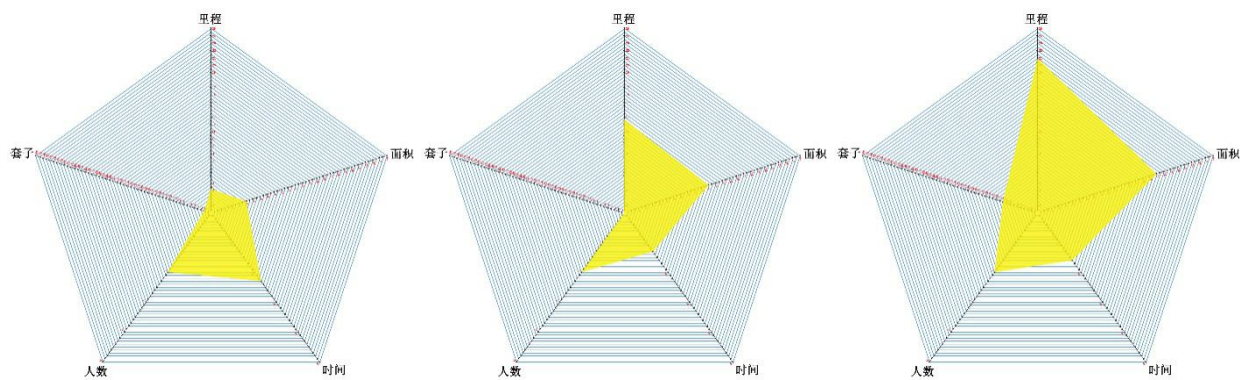
Serial number	Date	Location	Mileage	Area	Time	People	Snare	Trap
1	2014/12/29 10:01	Shuguang	1469	2	0:55	2	0	0
2	2014/12/30 8:47	Caomaodongou	6752	6	2:33	2	2	0
3	2014/12/31 8:28	Hedong	16582	19	1:37	2	2	14
4	2015/1/12 9:41	Xiaopanling	3338	3	1:23	2	2	0
5	2015/1/13 9:06	Chaoyang-Xijias han	5871	5	1:28	2	0	0
6	2015/1/14 10:13	Hulubie	847	3	1:02	2	0	0
7	2015/1/15 9:01	Erdaogou	7340	8	1:03	2	0	0
8	2015/1/16 9:01	Maozigou	7113	10	0:54	2	0	0
9	2015/1/17 9:02	Chaoyangchuan	6602	6	1:49	2	0	0

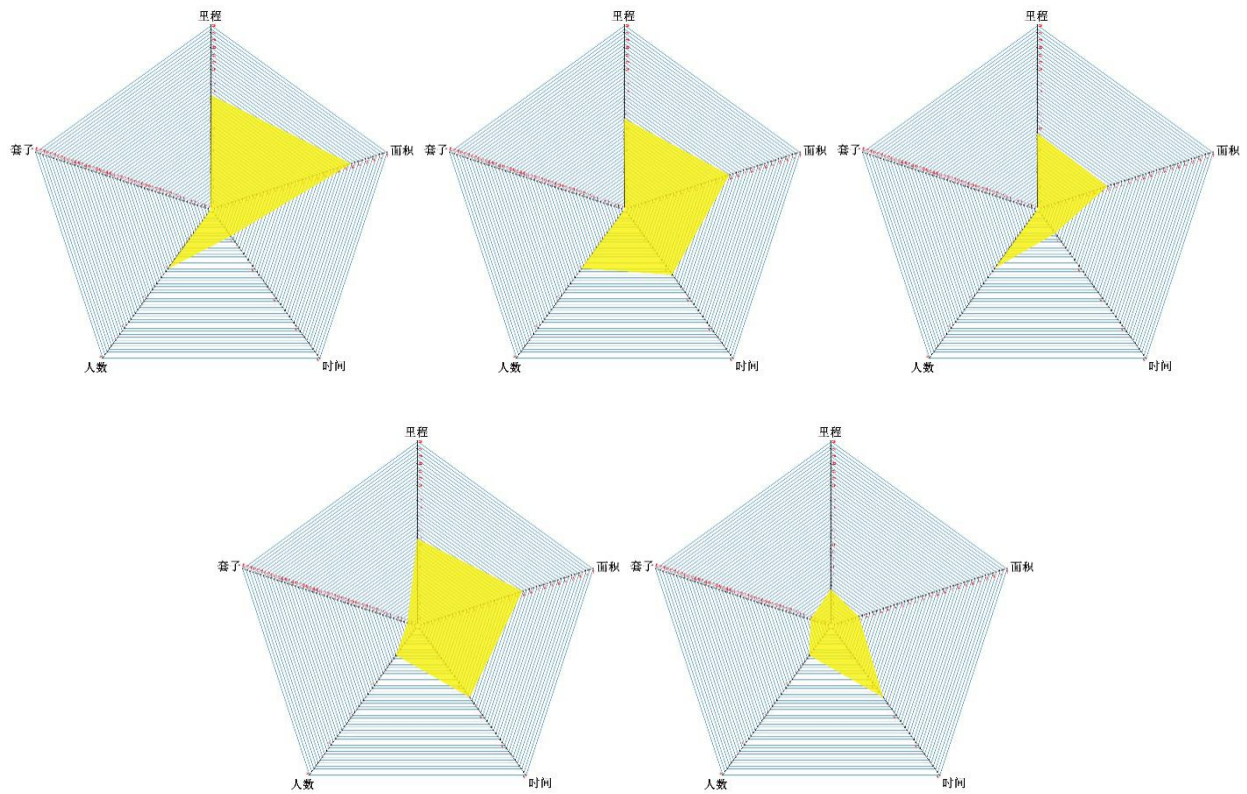




Removal data of Madida(place name)

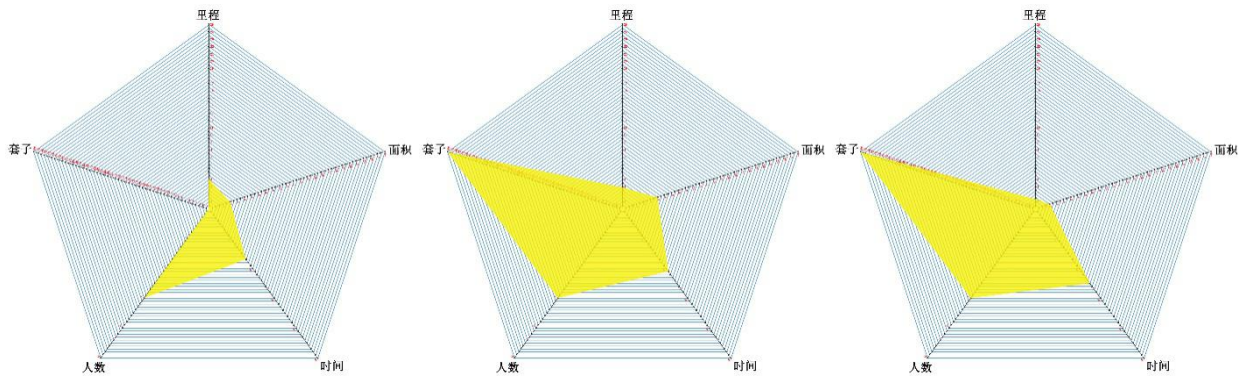
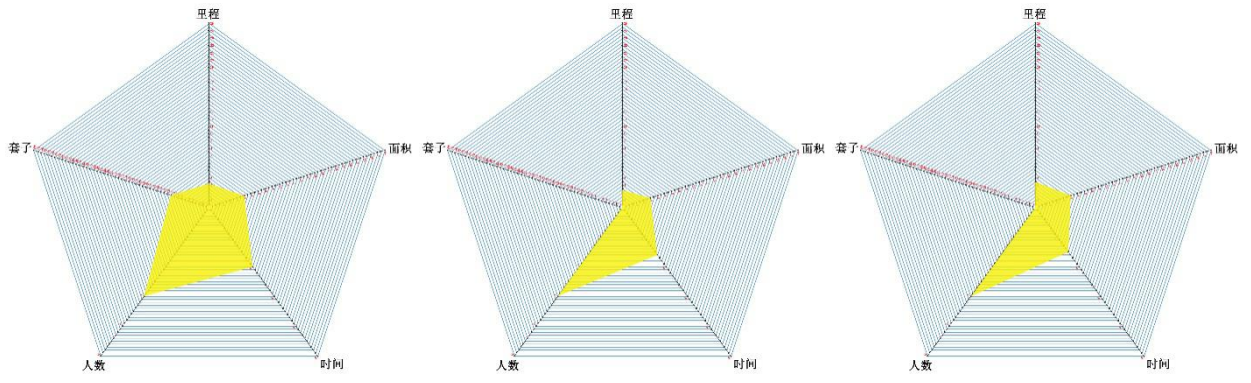
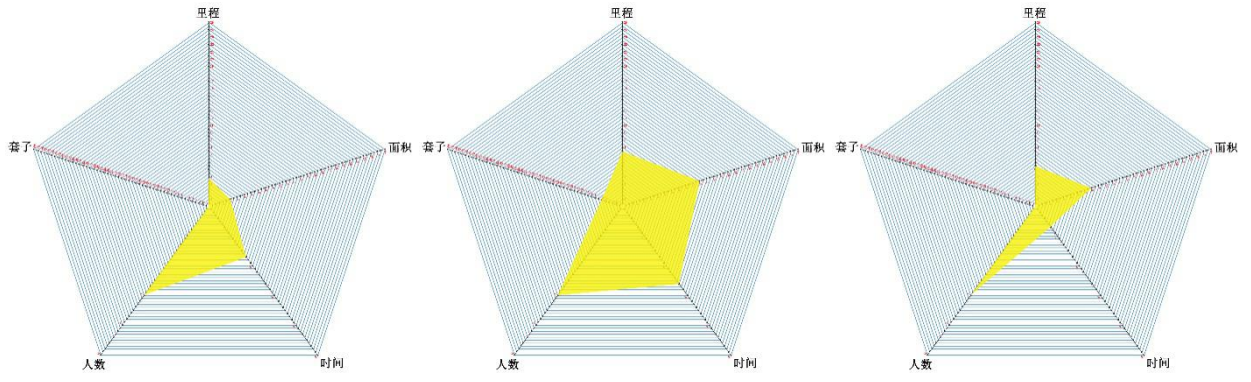
Serial number	Date	Location	Mileage	Area	Time	People	Snare	Trap
1	2014/12/30 8:43	Qingniwa	3195	5	2:16	2	2	0
2	2014/12/31 8:14	Daliudao	12697	12	1:17	2	0	0
3	2015/1/12 9:06	Xiaopanling	20981	17	1:37	2	10	0
4	2015/1/13 9:05	Daduchuan-Hekou	15424	20	0:53	2	0	0
5	2015/1/14 9:33	Xiasidaogou	12278	15	2:13	2	0	0
6	2015/1/15 8:58	Sandaogou	10315	10	0:50	2	0	0
7	2015/1/16 8:46	Shajingou	11825	15	2:21	1	3	0
8	2015/1/17 8:35	Yilinangou	4915	4	2:21	1	6	0





Removal data of Qinglongtai(place name)

Serial number	Date	Location	Mileage	Area	Time	People	Snare	Trap
1	2014/12/29 10:09	Shuguang	3770	3	1:40	3	0	0
2	2014/12/30 8:32	Sicha	7501	11	2:37	3	6	0
3	2014/12/31 8:16	Xiaoliudao	5450	8	0:42	3	0	0
4	2015/1/12 9:32	Wujiashan	3100	5	2:00	3	11	0
5	2015/1/13 9:50	Daduchuan-Rilanggou	2280	4	1:37	3	0	0
6	2015/1/14 10:00	Hulubie	3506	5	1:27	3	0	0
7	2015/1/15 9:25	Yantonglazi	3925	3	1:39	3	0	0
8	2015/1/16 9:20	Shitouhezi	2864	5	2:05	3	62	0
9	2015/1/17 8:56	Sanbaigaodi	1339	2	1:27	3	55	0



Removal data of Yangpao(place name)

Serial number	Date	Location	Mileage	Area	Time	People	Snare	Trap
1	2014/12/29 9:55	Xibeigou	14299	14	1:38	3	2	0
2	2014/12/30 10:32	Lanjiatangzi	4788	5	0:44	3	0	0
3	2014/12/31 8:07	Niuxindingzi	17310	17	2:23	3	0	0
4	2015/1/12 9:20	Lutian-Bolidong	9289	10	1:06	3	0	0
5	2015/1/13 8:50	Panlinggou	5728	6	1:20	3	2	0
6	2015/1/14 8:53	Liushuhezigou	3751	2	1:40	3	0	0
7	2015/1/15 9:29	Yantonglazi	3668	3	1:36	3	0	0
8	2015/1/16 8:56	Songlinnangou	9890	13	0:59	3	0	0
9	2015/1/17 8:44	Yilinangou	6115	7	2:02	3	8	0

